

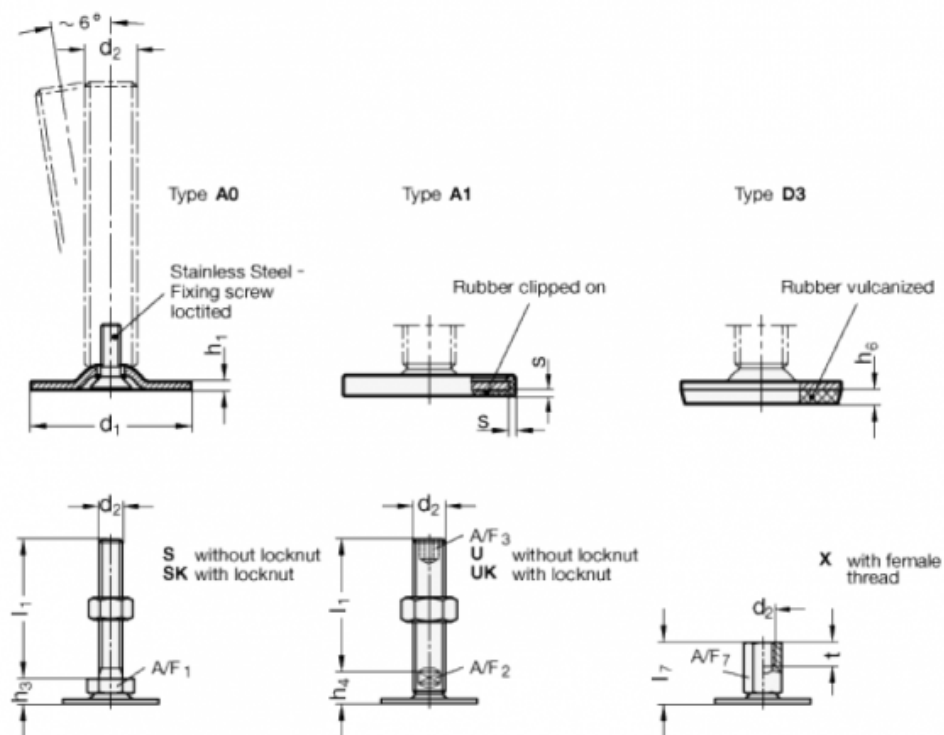
Article number: 204080M1080A0S

Description: E+G levelling foot

GN 40-80-M10-80-A0-S

Note: S Without nut, External hexagon at the bottom

## Measures



A/F1 = 17  
 $d_1$  = 80  
 $d_2$  = M10  
 $h_1$  = 3  
 $h_3$  = 12  
 $h_6$  =  
 $l_1$  = 80  
 $s$  =